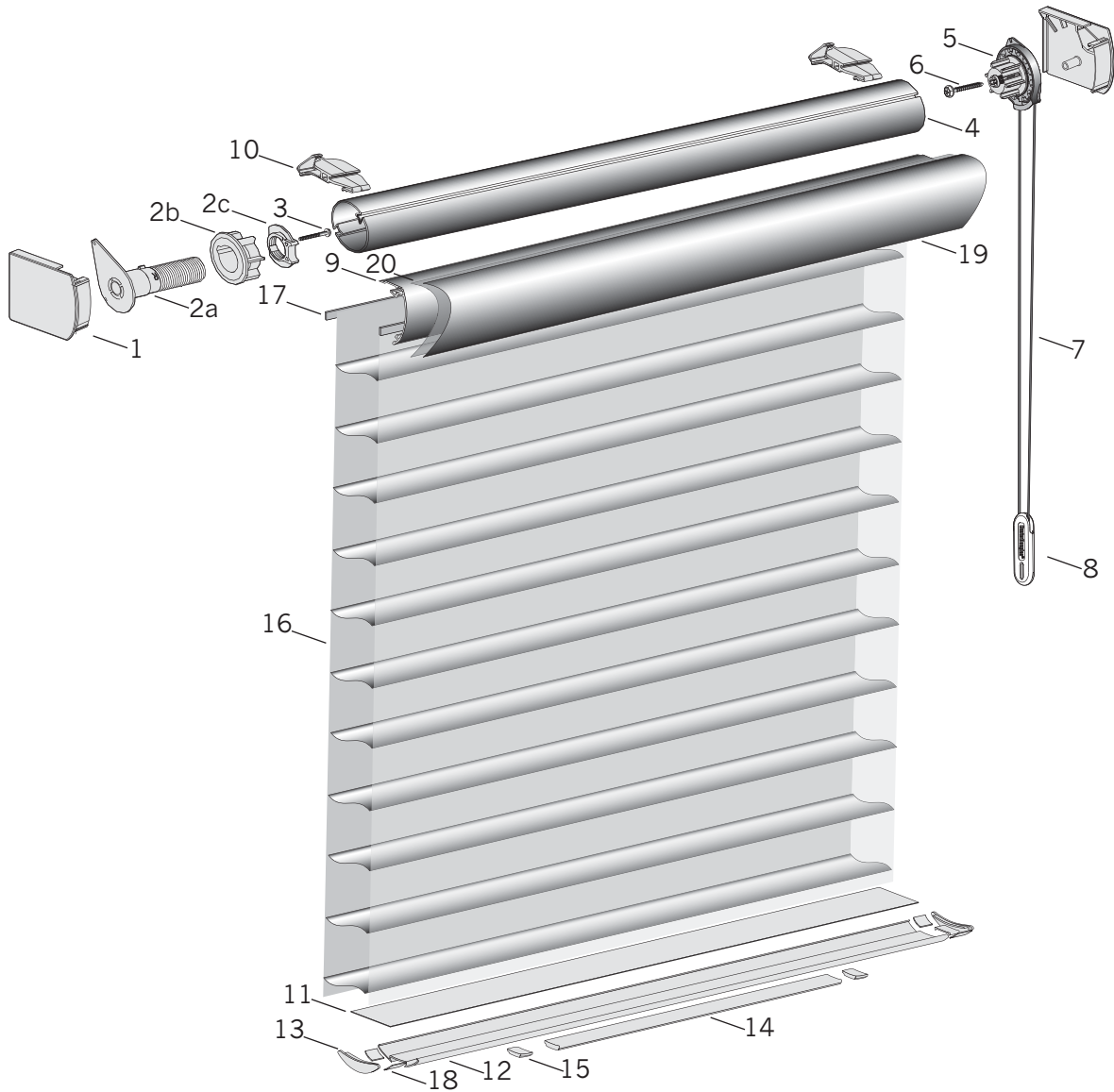


EasyRise™ Standard And Oversized



Standard Parts

- | | | |
|---------------------------|-----------------------------|------------------------|
| 1. Headrail End Caps | 6. Screw | 14. Balance Weight |
| 2. Limit Screw Assembly | 7. Cord Loop | 15. Weight Clips |
| 2a. Limit Screw | 8. Universal Cord Tensioner | 16. Fabric |
| 2b. Rotator | 9. Fabric Covered Headrail | 17. Polystrip |
| 2c. Limit Nut | 10. SU Std. Top Limit | 18. Steel Strip Pieces |
| 3. Screw | 11. Bottom Slat | 19. FCH Fabric |
| 4. Universal Rotator Rail | 12. Bottom Rail | 20. Full Width Tape |
| 5. Clutch Assembly | 13. Bottom Rail End Caps | |

EasyRise™ Standard And Oversized

No.	PCN	Description
1.		Headrail End Caps
	4158226xxx	Standard (1 pair)
	4178201xxx	Oversized (1 pair)
2.		Limit Screw Assembly
	4153244000	RH URR
	4153245000	LLH URR
2a.	N/A	Limit Screw
2b.	N/A	Rotator
2c.	N/A	Limit Nut
3.	4150158000	Screw, #10 x 5/8" SHWH Zinc-Plated
4.	4150260xxx	Universal Rotator Rail (785 – For all fabrics except A20 & A27)
5.	4150470000	RB Clutch ER
6.	4150159000	Screw (Clutch)
7.		Cord Loop
	4199010xxx	1'
	4199020xxx	2'
	4199030xxx	3'
	4199040xxx	4'
	4199050xxx	5'
	4199060xxx	6'
8.	4150336xxx	Universal Cord Tensioner
9.		Fabric Covered Headrail
	4170314661	Oversized (Select Fabric Cover Color)
	4158256661	Standard (Select Fabric Cover Color)
10.	4150057885	SU Std. Top Limit
11.	N/A	Bottom Slat
12.	4150128xxx	Bottom Rail
13.	4150084xxx	Bottom Rail End Caps
14.	4150082xxx	Balance Weight
15.	4150083xxx	Weight Clips
16.	N/A	Fabric
17.	4150288785	Polystrip With Tape
18.	4150600000	SU Steel Insert Strip, Short
19.	N/A	FCH Fabric
20.		Full Width Tape
	4150153500	SU FW Tape, 3.219" X 320 Yards
	4150155500	NAN FW Tape, 3.219" X 60 Yards

xxx = 3 Digit Color Code